



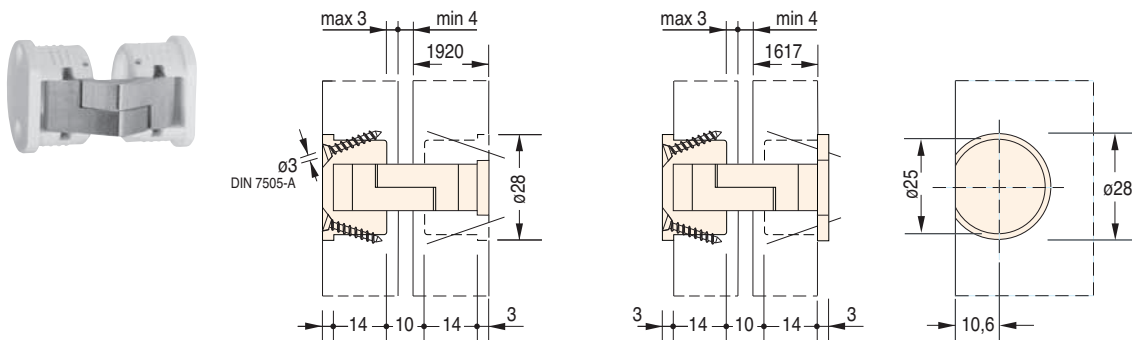
# Cerniere invisibili per mobili Invisible hinges for furniture Charnières invisibles pour meubles Unsichtbare Scharniere für Möbel



## 2000

ø25x14 mm

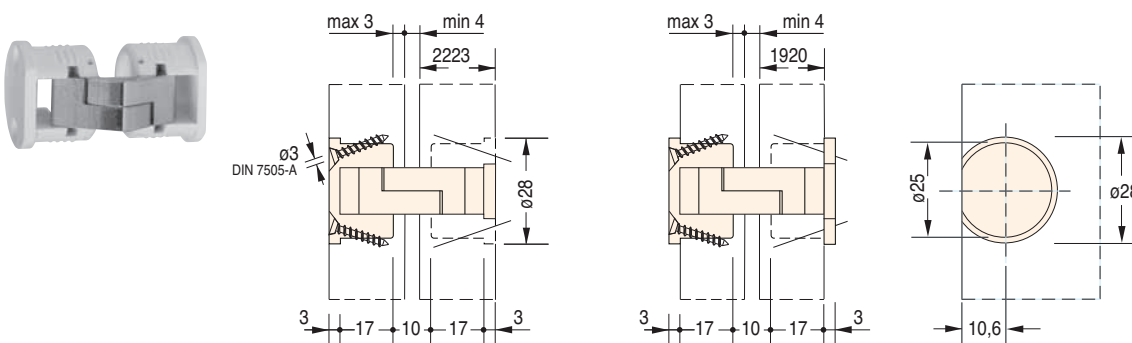
| Cod.          | Ottone                   | Brass                          | Laiton                | Messing                    |      |    |
|---------------|--------------------------|--------------------------------|-----------------------|----------------------------|------|----|
| C1002000BIA00 | nichelato • nylon bianco | nickel-plated • white nylon    | nickelé • nylon blanc | Vernickeltem • weiss Nylon | 180° | 50 |
| C1002000MAR00 | bronzato • nylon marrone | bronze-plated • brown nylon    | bronzé • nylon marron | Bronziertem • braun Nylon  | 180° | 50 |
| C1002000NER00 | brunito • nylon nero     | brunished-plated • black nylon | bruni • nylon noir    | Brüniert • schwarz Nylon   | 180° | 50 |



## 2001

ø25x17 mm

| Cod.          | Ottone                   | Brass                          | Laiton                | Messing                    |      |    |
|---------------|--------------------------|--------------------------------|-----------------------|----------------------------|------|----|
| C1002001BIA00 | nichelato • nylon bianco | nickel-plated • white nylon    | nickelé • nylon blanc | Vernickeltem • weiss Nylon | 180° | 50 |
| C1002001MAR00 | bronzato • nylon marrone | bronze-plated • brown nylon    | bronzé • nylon marron | Bronziertem • braun Nylon  | 180° | 50 |
| C1002001NER00 | brunito • nylon nero     | brunished-plated • black nylon | bruni • nylon noir    | Brüniert • schwarz Nylon   | 180° | 50 |



Si possono usare legni con spessori intermedi incassando parzialmente la corona di testa.

Woods with intermediate thickness can be used embedding partly the upper protrusion/part.

On peut utiliser des bois intermédiaires mais il faut emboîter partiellement la couronne de tête.

Man kann Holzstücke mittlerer Dicke benutzen, indem man nur Teilweise des oberen Vorsprungs versenkt.