

zen

Design: Bartoli Design

MANIGLIONI SENZA ROSETTE
PULLS WITHOUT ROSETTES

Materiale: Ottone
Material: Brass



HPS
Zirconium
gold HPS



HPS/1
Zirconium
stainless-steel HPS

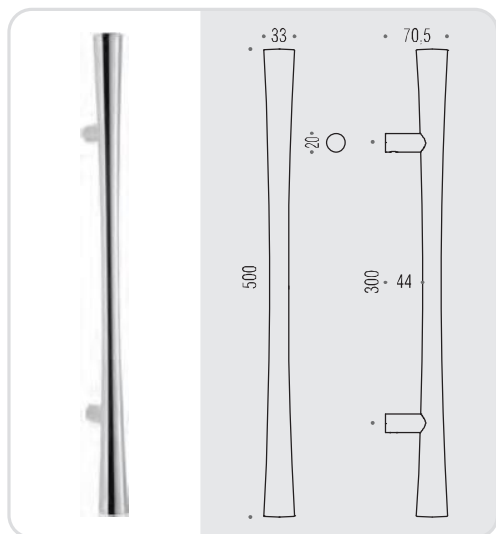


CR
Cromo
Chrome

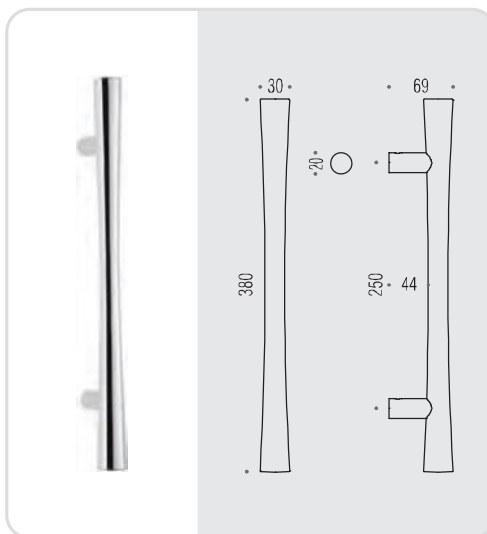


CM
Cromat
Matt chrome

CB 36 A



CB 36 B



zen

Design: Bartoli Design

MANIGLIONI SENZA ROSETTE
PULLS WITHOUT ROSES

Materiale: Ottone
Material: Brass



HPS
Zirconium
gold HPS



HPS/1
Zirconium
stainless-steel HPS

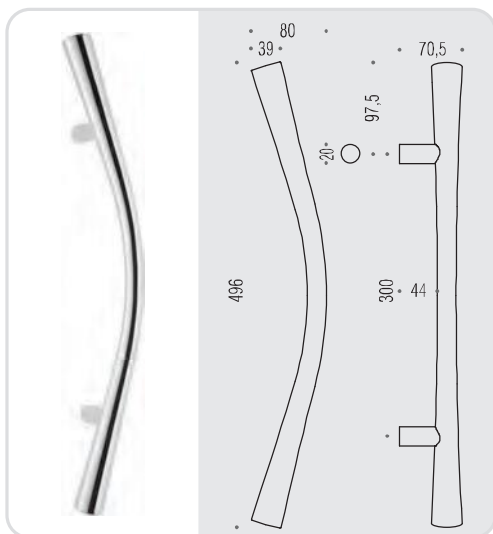


CR
Cromo
Chrome



CM
Cromat
Matt chrome

CB 46 A



CB 46 B

