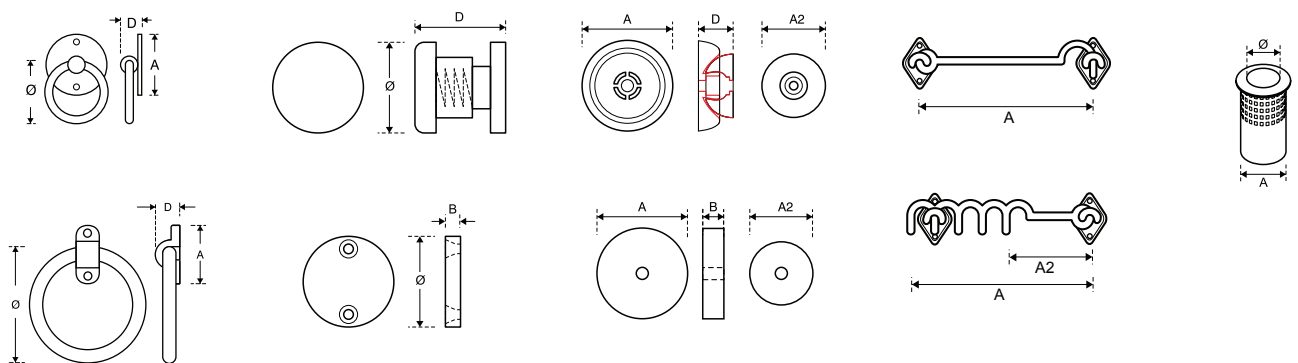


Descrizione Description	Articolo Product code	Finiture Finishes				Misure mm Measures mm										Packaging			Note
		IN	IT	N1		A	A2	B	C	Ø	D	Z				U.M.	Pack	Kg	
Modello / Model <b>Pendente con placca</b> Pull ring with back plate	<b>FAP 00073 P0</b>	●	●			40				40	13					pcs	100	3,9	
Modello / Model <b>Pendente</b> Pull ring	<b>FAP 00073 00</b>	●	●			40				65	15					pcs	50	3,6	
Modello / Model <b>Paracolpi a molla</b> Shock-absorber with spring	<b>FBC 02150 00</b>			●						30	30/25					pcs	20	0,4	
Modello / Model <b>Spessore per paracolpi*</b> Thickness for shock-absorber*	<b>FBC 2150S 00</b>			●				10		30						pcs	20	0,3	
Modello / Model <b>Pinza blocca ante</b> Shutter stop clips	<b>FFP 00104 00</b>			●		44	32		16							pcs	50	0,6	
Modello / Model <b>Spessori</b> Thicknesses	mm 10 <b>FFP 00104 D0</b>			●		44	32	10								pcs	50	0,7	
Modello / Model <b>Gancio singolo</b> Single hook	cm 6 <b>FAP 00667 01</b>	●	●	●		60										pcs	12	0,7	
	cm 8 <b>FAP 00667 02</b>	●	●	●		80										pcs	12	0,9	
	cm 10 <b>FAP 00667 0A</b>	●	●	●		100										pcs	12	1	
	cm 12 <b>FAP 00667 0B</b>	●	●	●		120										pcs	12	1,1	
	cm 14 <b>FAP 00667 0C</b>	●	●	●		140										pcs	12	1,2	
Modello / Model <b>Gancio multiplo</b> Multiple hook	cm <b>FAP 00668 00</b>	●	●	●		140	80									pcs	12	1,3	
Modello / Model <b>Pozzetto antipolvere</b> Anti dust cylinder with spring	Ø 6 <b>FAP 00784 06</b>	●				10				6						pcs	100	1,0	
	Ø 8 <b>FAP 00784 08</b>	●				12				8						pcs	100	1,4	
	Ø 10 <b>FAP 00784 10</b>	●				14				10						pcs	100	1,6	
	Ø 12 <b>FAP 00784 12</b>	●				16				12						pcs	100	1,8	
	Ø 14 <b>FAP 00784 14</b>	●				18				14						pcs	100	2,0	
	Ø 16 <b>FAP 00784 16</b>	●				20				16						pcs	100	2,6	
	Ø 18 <b>FAP 00784 18</b>	●				22				18						pcs	100	3,5	
	Ø 20 <b>FAP 00784 20</b>	●				24				20						pcs	100	2,4	
	Ø 22 <b>FAP 00784 22</b>	●				26				22						pcs	100	3,0	





Modello / Model  
**Pendente con placca**  
*Pull ring with back plate*

Dimensioni / Dimensions available  
Ø 40



Modello / Model  
**Pendente**  
*Pull ring*

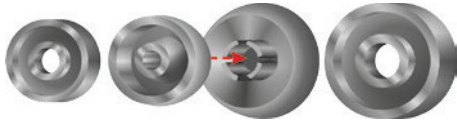
Dimensioni / Dimensions available  
Ø 65



Modello / Model  
**Paracolpi a molla**  
*Shock-absorber with spring*



Modello / Model  
**Spessore per paracolpi**  
*Thickness for shock-absorber*



Modello / Model  
**Pinza blocca ante e spessori\***  
*Shutter stop clips and thicknesses\**

\*Spessori sovrapponibili / \*Overlapping thicknesses



Modello / Model  
**Gancio singolo**  
*Single hook*

Dimensioni / Dimensions available

- cm 6
- cm 8
- cm 10
- cm 12
- cm 14



Modello / Model  
**Gancio multiplo**  
*Multiple hook*

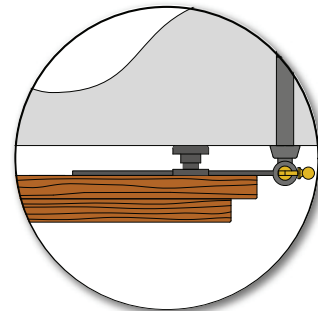


Modello / Model  
**Pozzetto antipolvere**  
*Antidust pit with spring*

Dimensioni / Dimensions available

- Ø 6
- Ø 8
- Ø 10
- Ø 12
- Ø 14
- Ø 16
- Ø 18
- Ø 20
- Ø 22

- IN** ferro fondo zincato e copertura polveri poliesteri nero RAL 9005  
*zinc treatment iron black powder coating*
- IT** ferro tropicalizzato  
*yellow zinc iron*
- N1** nylon nero  
*black nylon*
- BO** ottone naturale  
*natural brass*
- BL** ottone lucido  
*bright brass*
- BP** ottone verniciato polveri poliesteri nero RAL 9005  
*brass with black powder coating*



Il paracolpo a molla è incluso nella confezione dei cardini con dispositivo fermapersiana  
*shock-absorber are included in the pivots with shutter-holder device package*