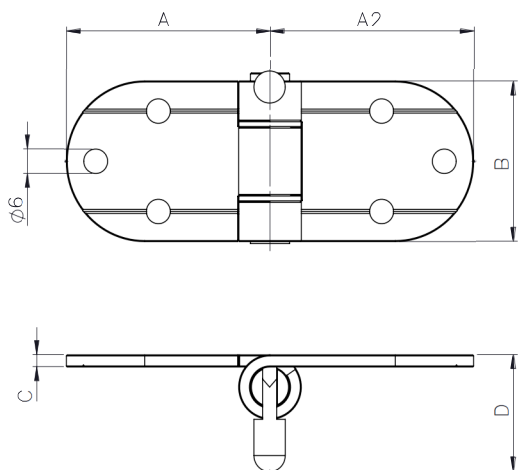


Descrizione Description	Articolo Product code	Finiture Finishes			Misure mm Measures mm							Packaging			Note		
		IN	IE	IT	A	A2	B	C	D				U.M.	Pack		Kg	
Modello / Model Bandella doppia con dispositivo di bloccaggio OneBlock Double hinge with device OneBlock	con OneBlock fori vite standard with OneBlock standard holes screw FBC DNS21 NN	●			52	52	40	3	29						pcs	20	
	con OneBlock fori vite svasati with OneBlock countersunk holes screw FBC DCSA1 NN	●			52	52	40	3	29						pcs	20	
Modello / Model Bandella doppia standard Standard double hinge	bandella standard fori vite standard standard hinge standard holes screw KLE DGP LUN 0505	●			52	52	40	3							pcs	30	
	bandella standard fori vite svasati standard hinge countersunk holes screw FBC DCS21 NN	●			52	52	40	3							pcs	30	



IN ferro fondo zincato e copertura polveri poliesteri nero RAL 9005
 zinc treatment iron black powder coating



Modello / Model

**Bandella doppia
con dispositivo
di bloccaggio OneBlock**
*Double hinge with
device OneBlock*



Versione fori standard per viti testa cilindrica
Standard holes for pan head screws



Modello / Model

Bandella doppia standard
Standard double hinge



Versione fori svasati per viti testa piana
Recessed holes for recessed countersunk head screws



ESEMPIO APPLICATIVO
 EXAMPLE OF APPLICATION



Ante perfettamente allineate con la bandella Oneblock
Leaves perfectly aligned with Oneblock device hinge