



Movimenti per ante
Wing movements
Mouvements des portes
Bewegung der Türen



0506
mm 150

Cod.						
BT000506OZC15	Ottone zincocromato	Zinc chromium-plated brass	Laiton cromé en zinc	Zinkverchromtem Messing		50
BT000506OTT15	Ottone	Brass	Laiton	Messing		
BT000506ONI15	Ottone nichelato	Nickel-plated brass	Laiton nickelé	Vernickeltem Messing		
BT000506OBR15	Ottone bronzato	Bronze-plated brass	Laiton bronzé	Bronziertem Messing		
BT000506AZC15	Acciaio zincocromato	Zinc chromium-plated steel	Acier chromé en zinc	Zinkverchromten Stahl		
BT000506ABR15	Acciaio bronzato	Bronze-plated steel	Acier bronzé	Bronziertem Stahl		
BT000506AOT15	Acciaio ottonato	Brass-plated steel	Acier laitonné	Vermessingtem Stahl		

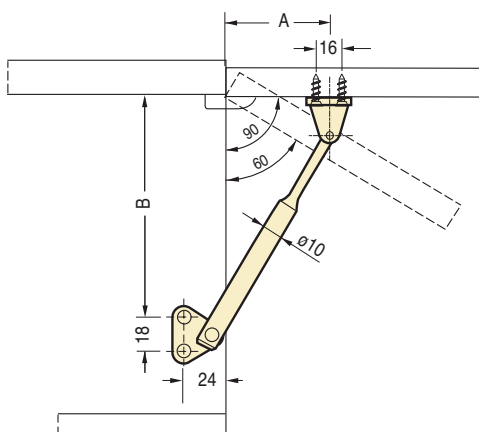


506
mm 200

Cod.						
BT000506OZC20	Ottone zincocromato	Zinc chromium-plated brass	Laiton cromé en zinc	Zinkverchromtem Messing		50
BT000506OTT20	Ottone	Brass	Laiton	Messing		
BT000506ONI20	Ottone nichelato	Nickel-plated brass	Laiton nickelé	Vernickeltem Messing		
BT000506OBR20	Ottone bronzato	Bronze-plated brass	Laiton bronzé	Bronziertem Messing		
BT000506AZC20	Acciaio zincocromato	Zinc chromium-plated steel	Acier chromé en zinc	Zinkverchromten Stahl		
BT000506ABR20	Acciaio bronzato	Bronze-plated steel	Acier bronzé	Bronziertem Stahl		
BT000506AOT20	Acciaio ottonato	Brass-plated steel	Acier laitonné	Vermessingtem Stahl		

507
mm 250

Cod.						
BT000507OZC25	Ottone zincocromato	Zinc chromium-plated brass	Laiton cromé en zinc	Zinkverchromtem Messing		50
BT000507OTT25	Ottone	Brass	Laiton	Messing		
BT000507ONI25	Ottone nichelato	Nickel-plated brass	Laiton nickelé	Vernickeltem Messing		
BT000507OBR25	Ottone bronzato	Bronze-plated brass	Laiton bronzé	Bronziertem Messing		
BT000507AZC25	Acciaio zincocromato	Zinc chromium-plated steel	Acier chromé en zinc	Zinkverchromten Stahl		
BT000507ABR25	Acciaio bronzato	Bronze-plated steel	Acier bronzé	Bronziertem Stahl		
BT000507AOT25	Acciaio ottonato	Brass-plated steel	Acier laitonné	Vermessingtem Stahl		



Art.			A mm	B mm
0506	mm 150	60°	85	155
		90°	50	120
506	mm 200	60°	115	235
		90°	70	190
507	mm 250	60°	150	300
		90°	85	245