

MANIGLIONI
PULL HANDLES



CODICE CODE
AISI 304

839.32.382.350.60

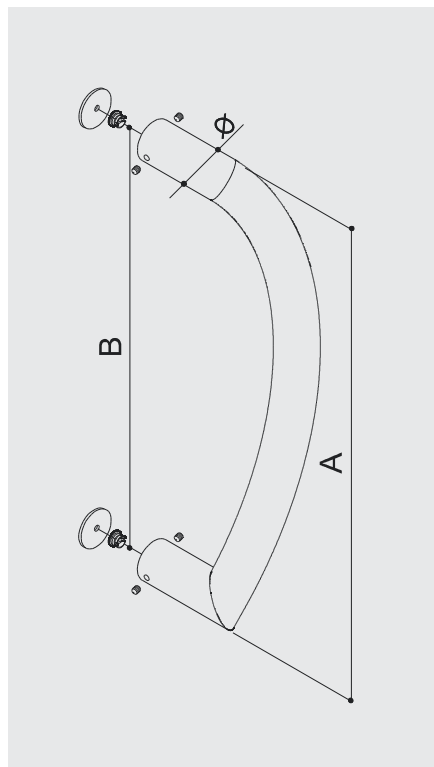
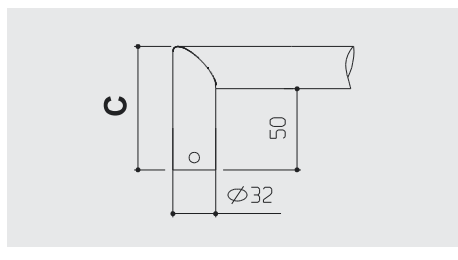
Ø	A	B	C
32	382	350	82



CODICE CODE
AISI 316

839.32.382.350.62

Ø	A	B	C
32	382	350	82



MATERIALE MATERIAL
INOX AISI 304 **INOX AISI 316**

FINITURA FINISH
F60 **F62**

INOX SATINATO SATIN S. STEEL

ACCESSORI INCLUSI INCLUDED ACCESSORIES

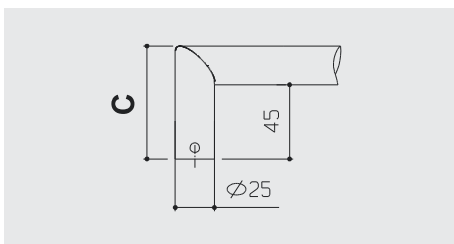
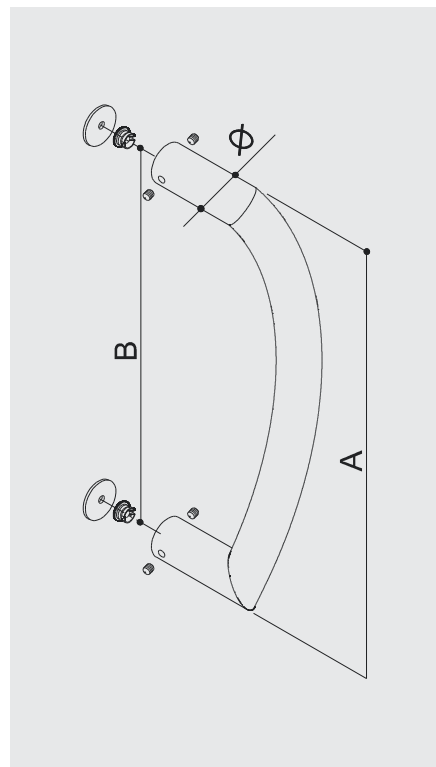


BUSSOLE
BOLDS

GRANI
GRUB SCREWS

GUARNIZIONI
GASKETS

CODICE CODE	Ø	A	B	C
AISI 304				
839.25.275.250.60	25	275	250	70



MATERIALE MATERIAL	INOX AISI 304
FINITURA FINISH	F60

INOX SATINATO SATIN S. STEEL

ACCESSORI INCLUSI INCLUDED ACCESSORIES



BUSSOLE
BOLDS

GRANI
GRUB SCREWS

GUARNIZIONI
GASKETS

FINITURE
A RICHIESTA
FINISHES
ON REQUEST

F61
INOX LUCIDO
POLISHED S. STEEL

F NO
NERO OPACO RAL 9005
MATT BLACK RAL 9005

F BO
BIANCO OPACO RAL 9016
OPAQUE WHITE RAL 9016

F BL
BIANCO LUCIDO RAL 9010
GLOSSY WHITE RAL 9010